



# vitradual

---

NON-COMBUSTIBLE CASSETTE CLADDING / MANUFACTURED BY FAIRVIEW

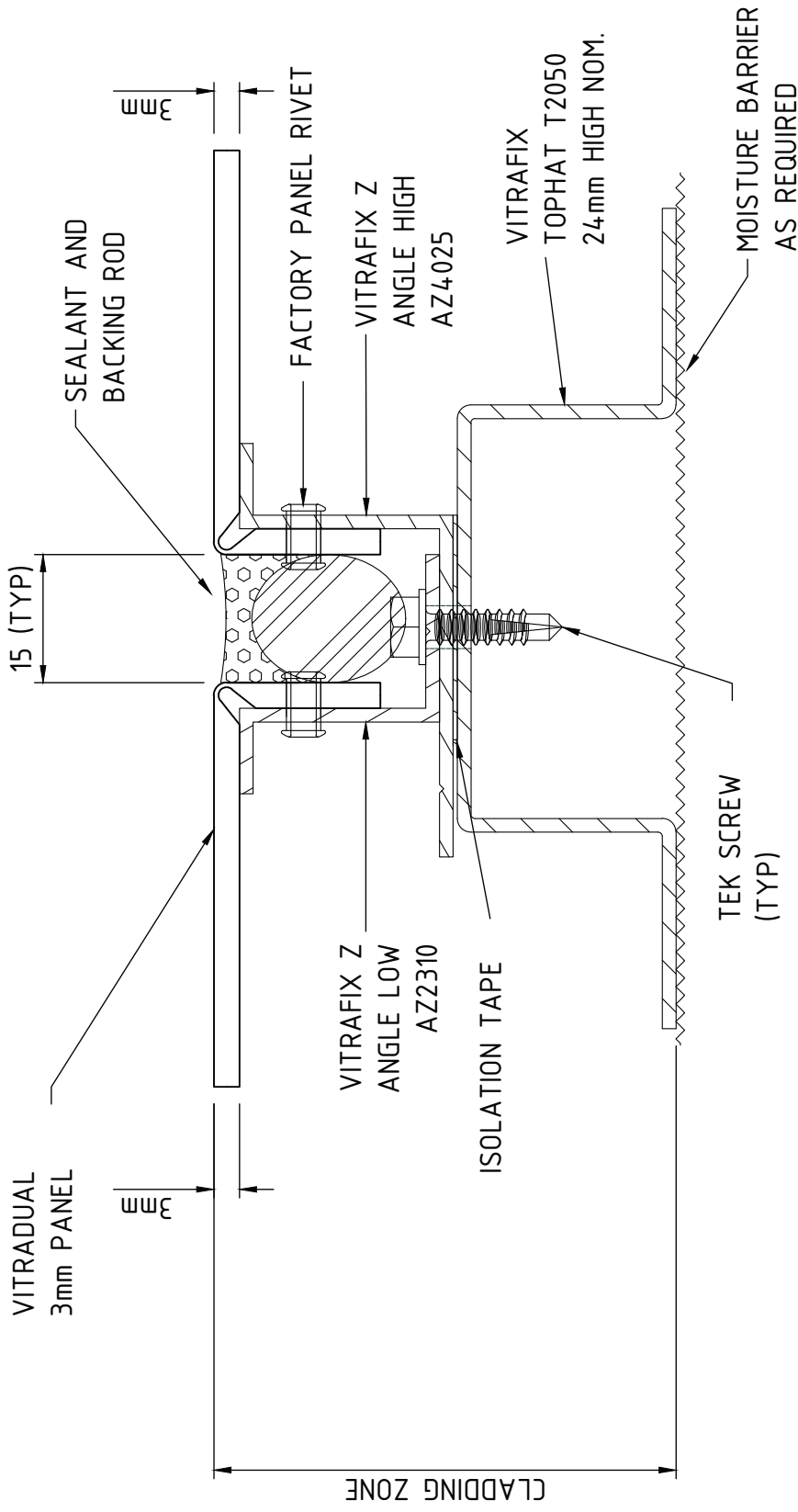
## VITRADUAL INSTALLATION MANUAL VERSION 2



**FAIRVIEW**

DEFINING ARCHITECTURE SINCE 1963

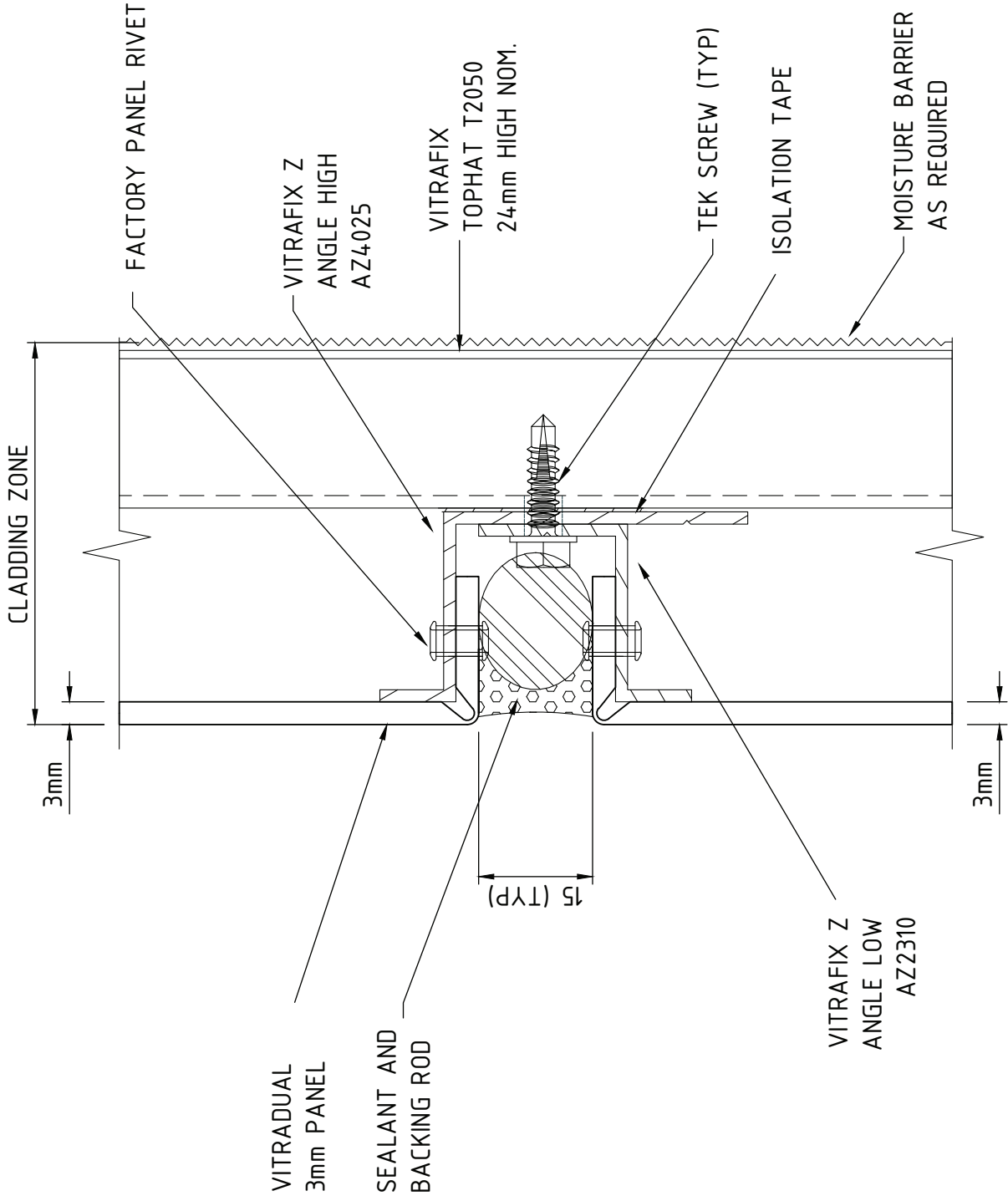
[WWW.FV.COM.AU](http://WWW.FV.COM.AU)



## 1. TYPICAL PANEL JOINT DETAIL

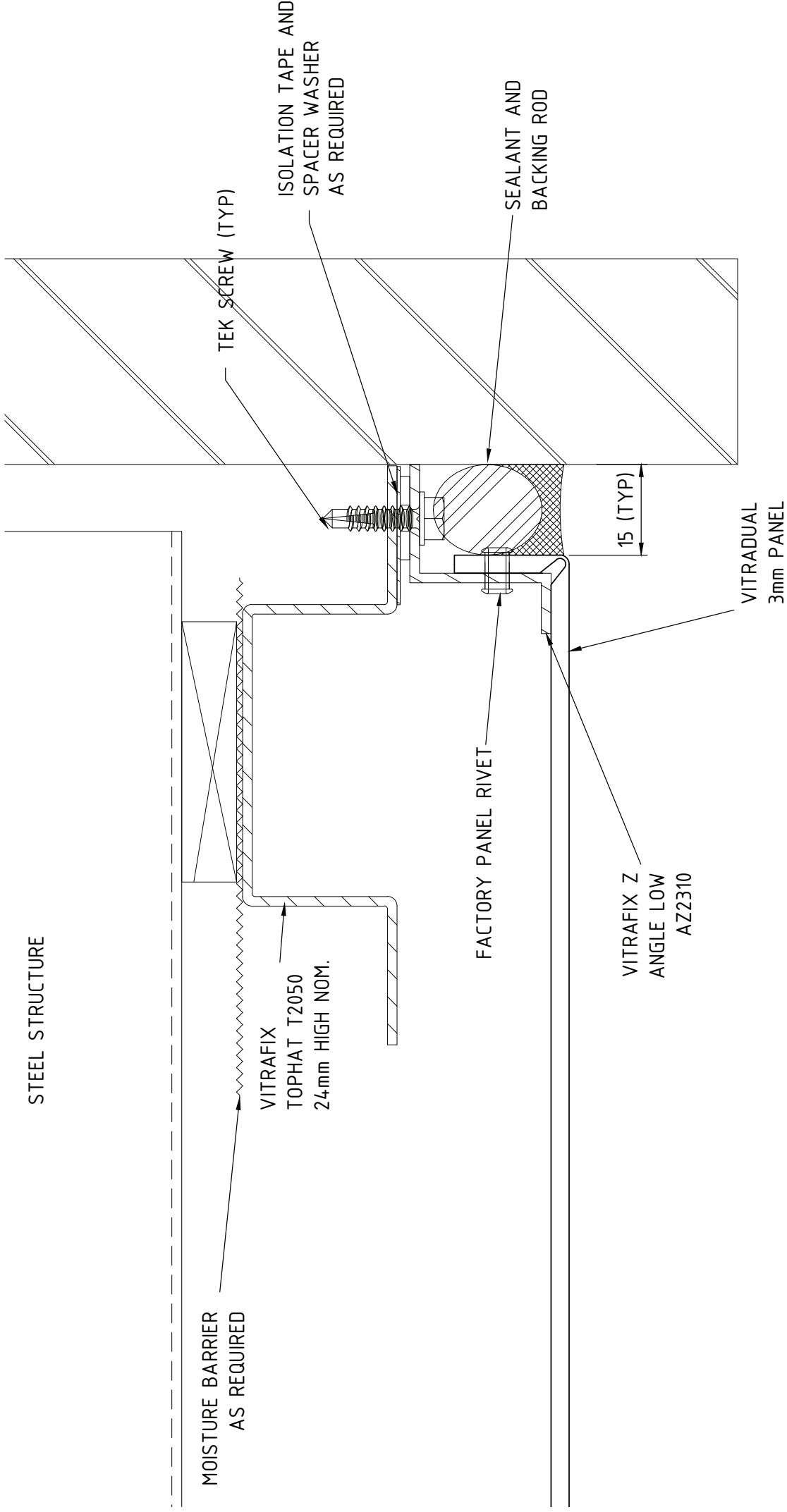


**vitradual**



## 2. HORIZONTAL JOINT DETAIL

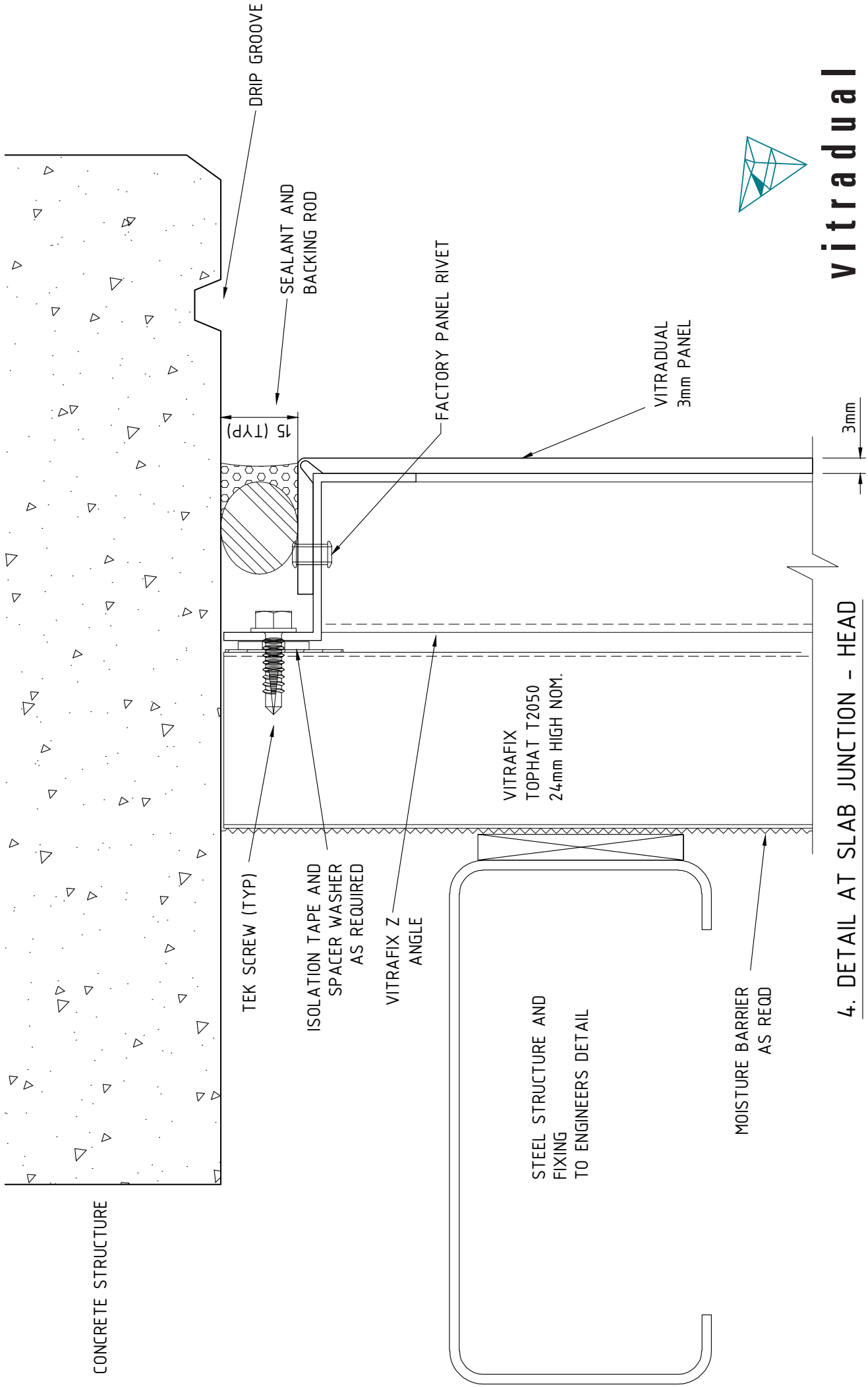
**vitradual**



### 3. DETAIL SHOWING PANEL AT MASONRY WALL



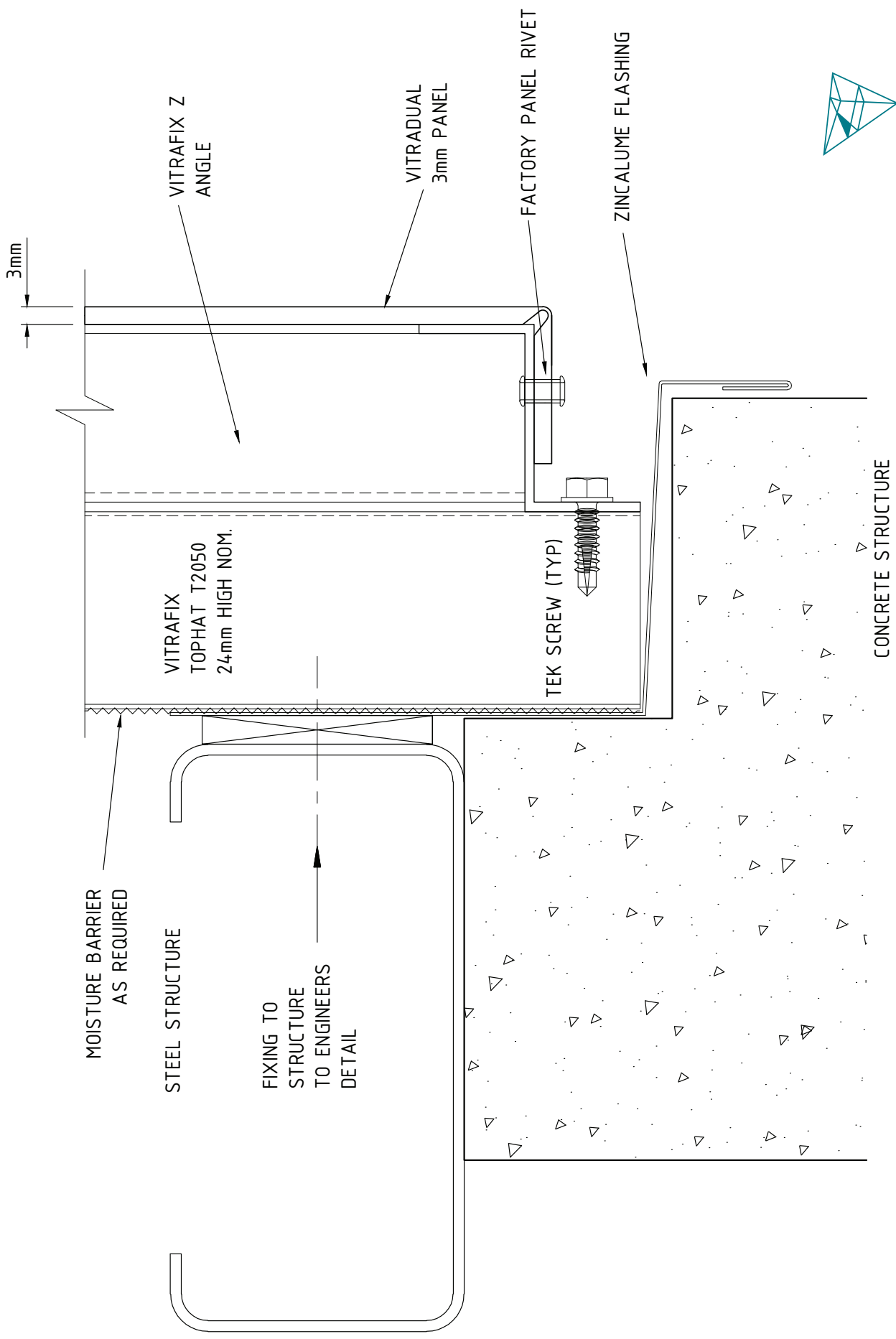
**vitradual**



#### 4. DETAIL AT SLAB JUNCTION - HEAD



**vitradual**

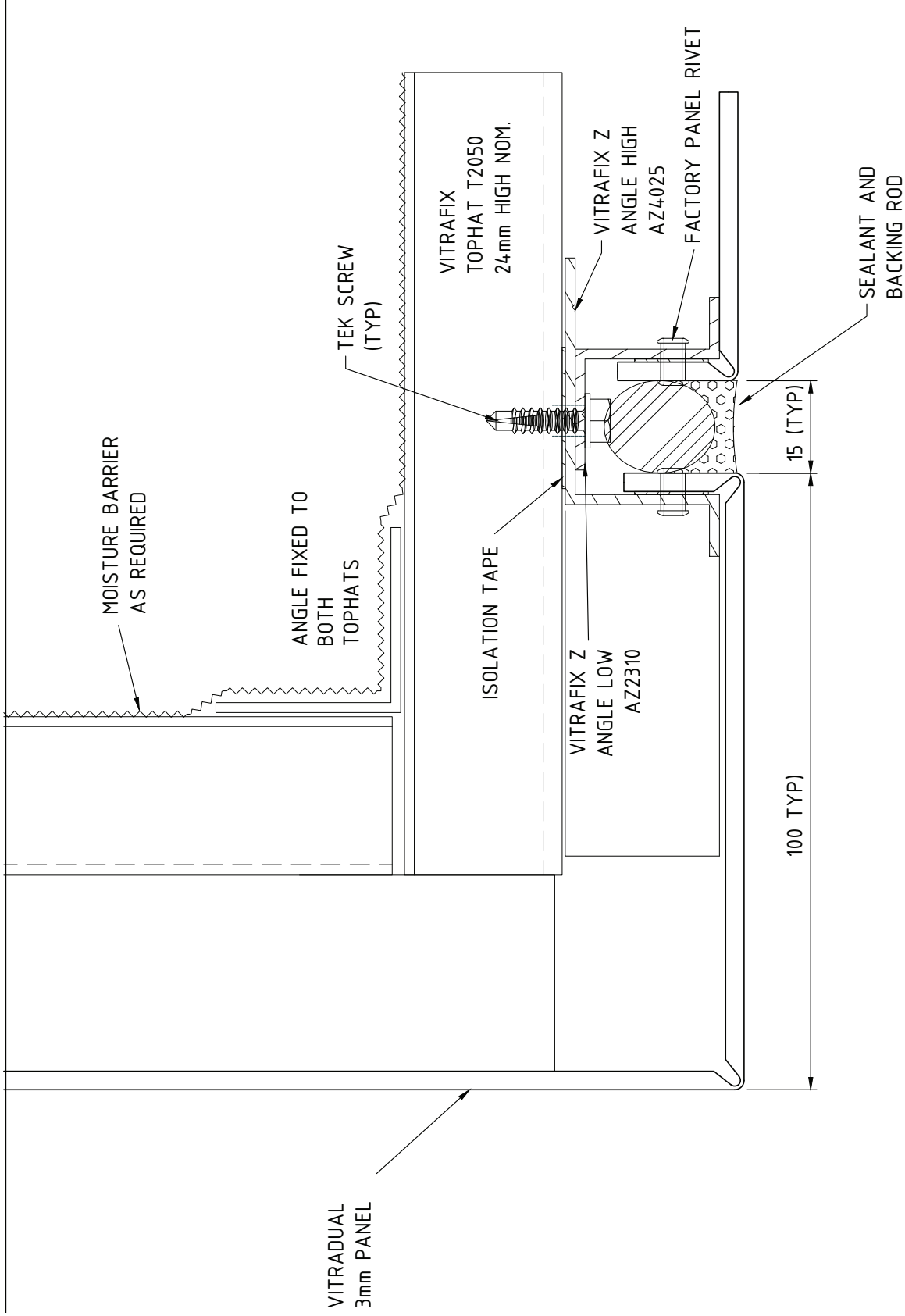


5. DETAIL AT SLAB JUNCTION - BASE



**vitradual**

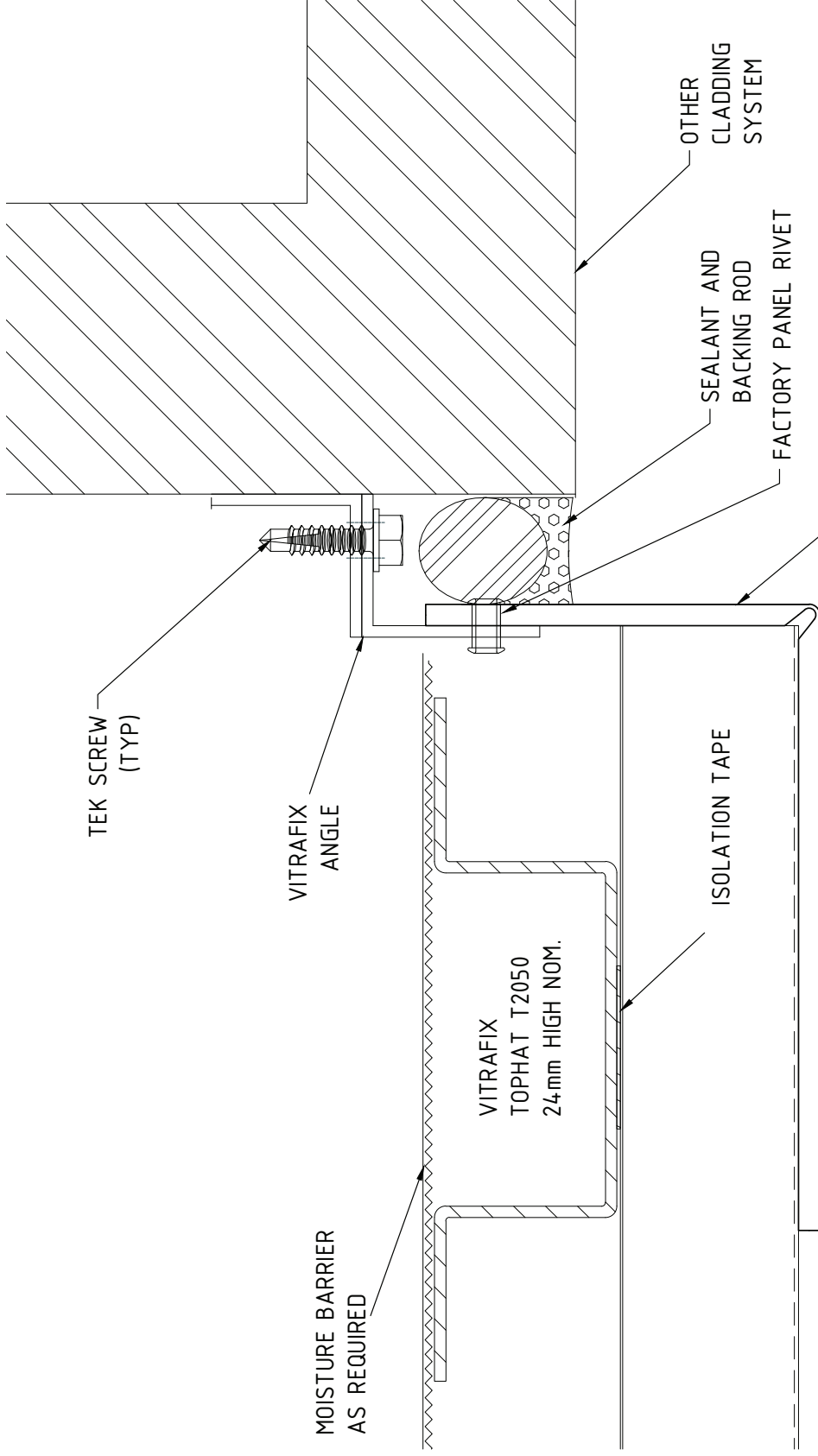
NON-COMBUSTIBLE CASSETTE CLADDING / MANUFACTURED BY FAIRVIEW



## 6. DETAIL AT SOFFIT JUNCTION



**vitradual**



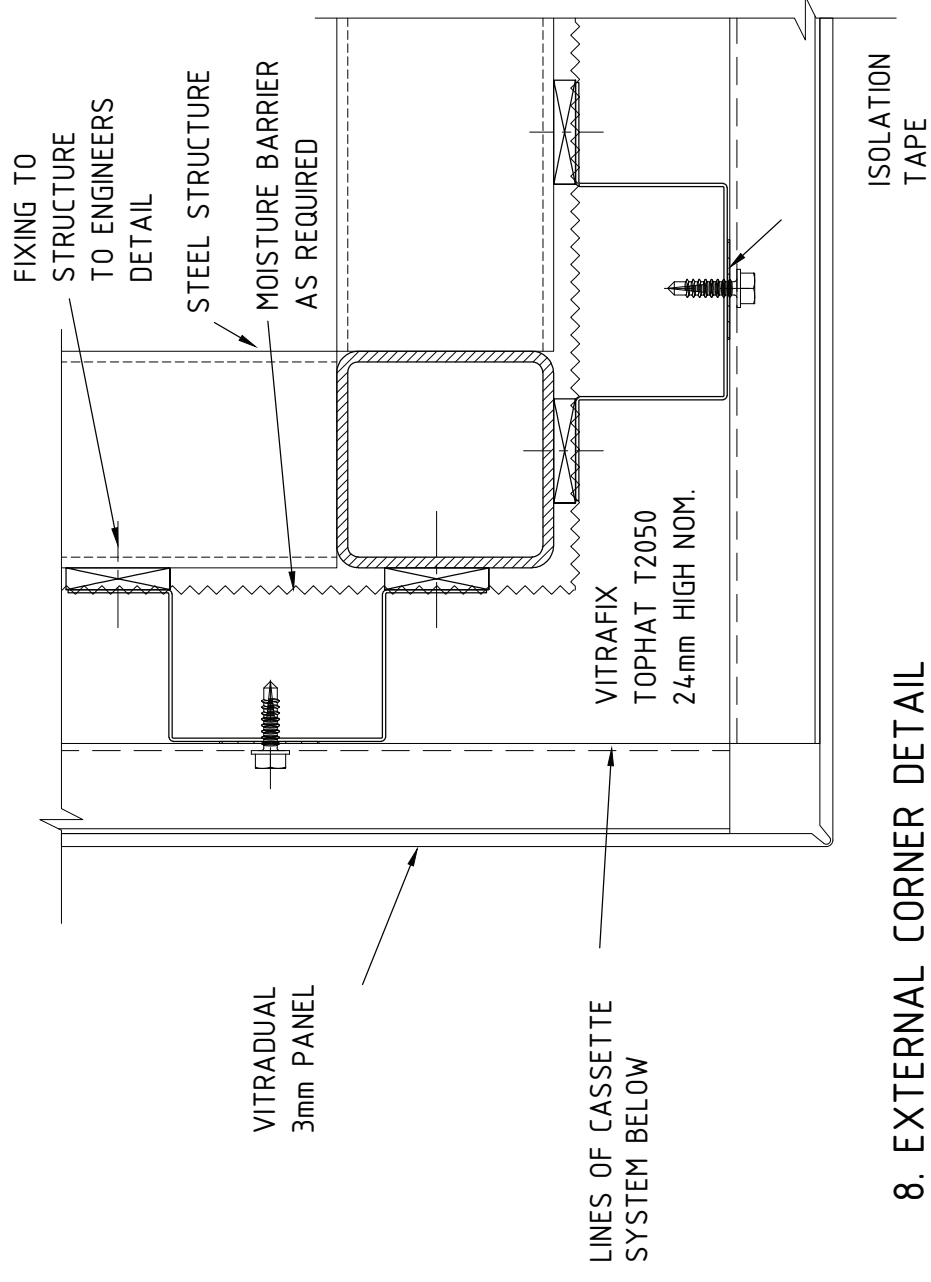
VITRADUAL  
3mm PANEL

**7. WALL ABUTMENT DETAIL**



**vitradual**

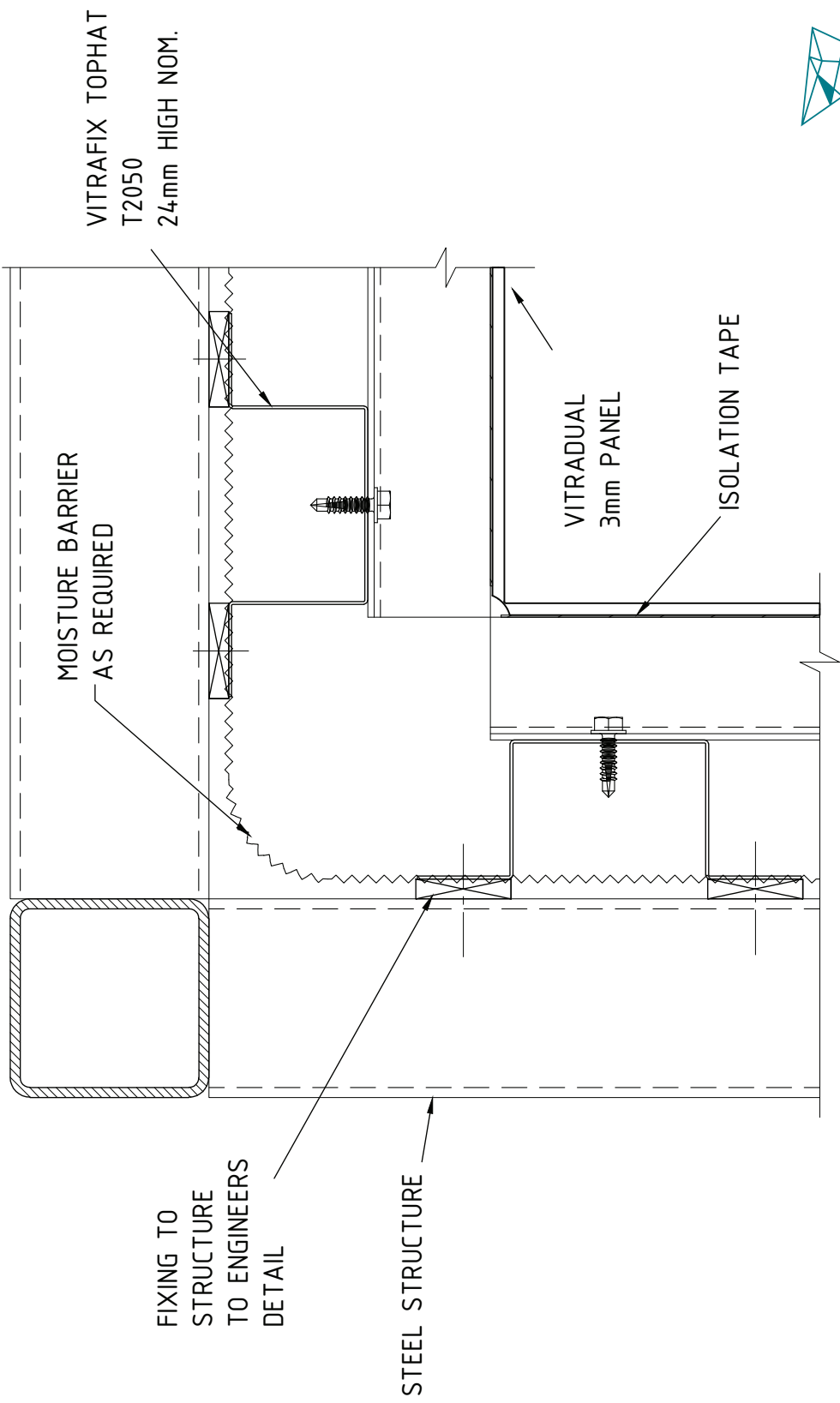




**8. EXTERNAL CORNER DETAIL**



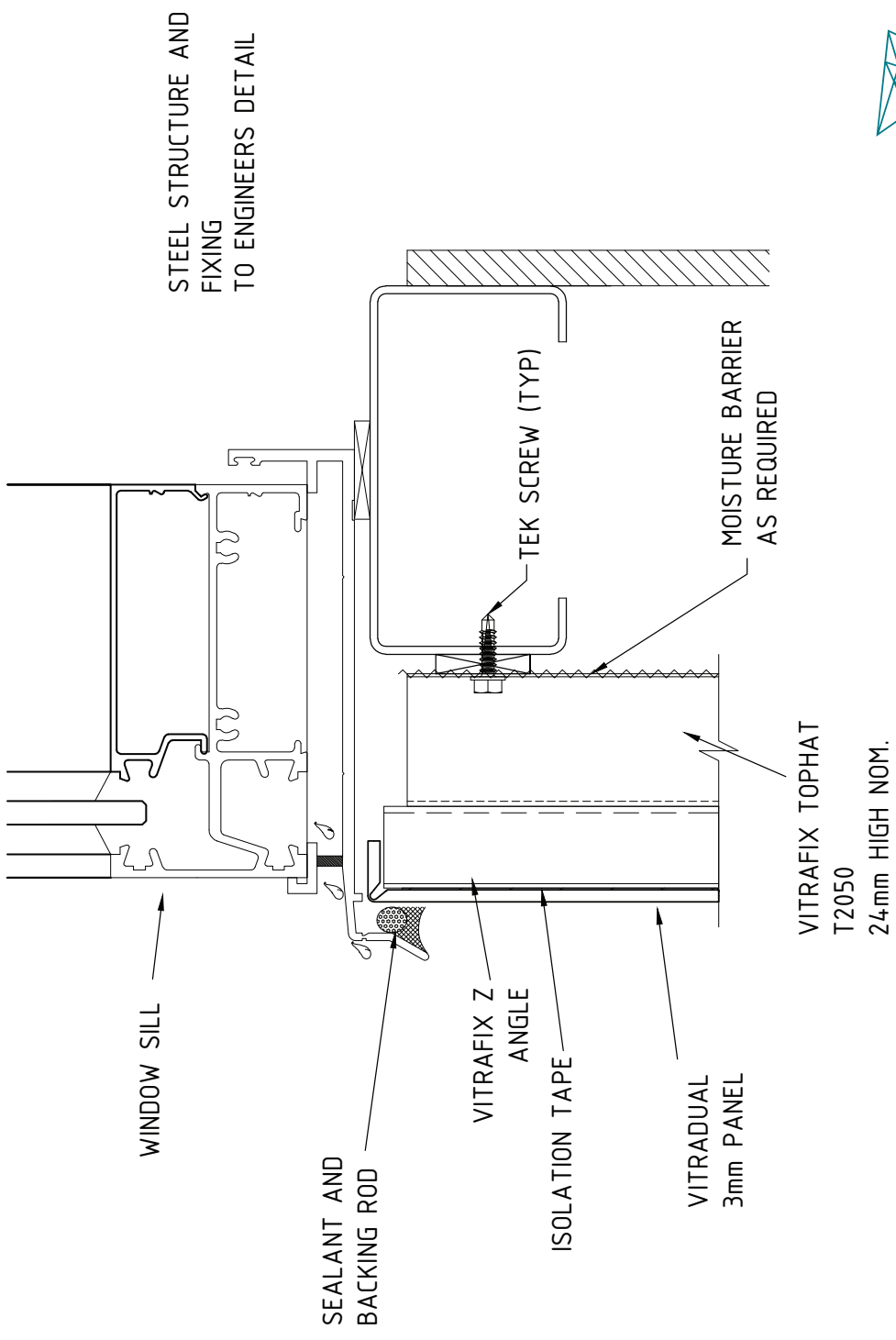
**vitradual**



## 9. INTERNAL CORNER DETAIL



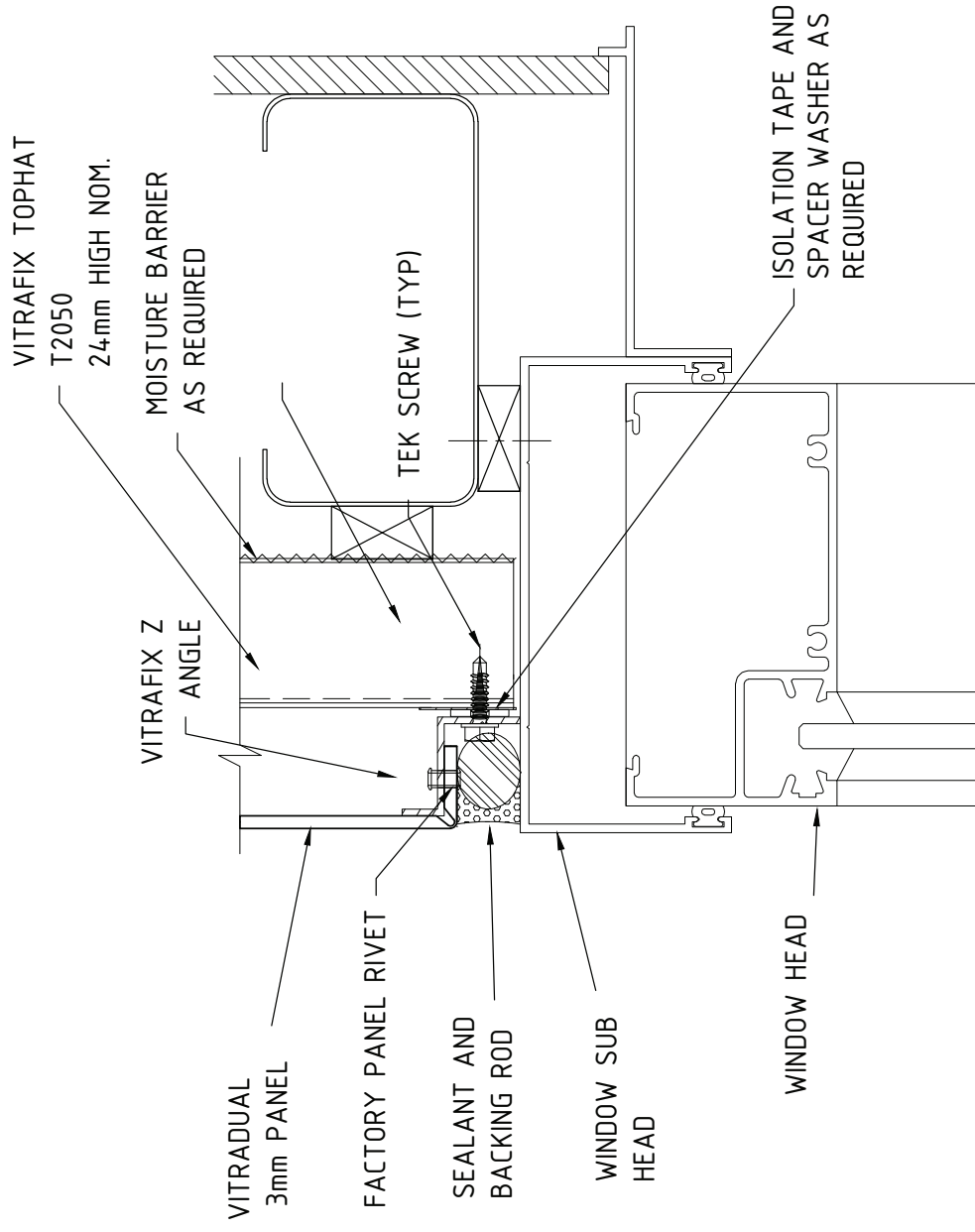
**vitradual**



## 10. WINDOW SILL DETAIL



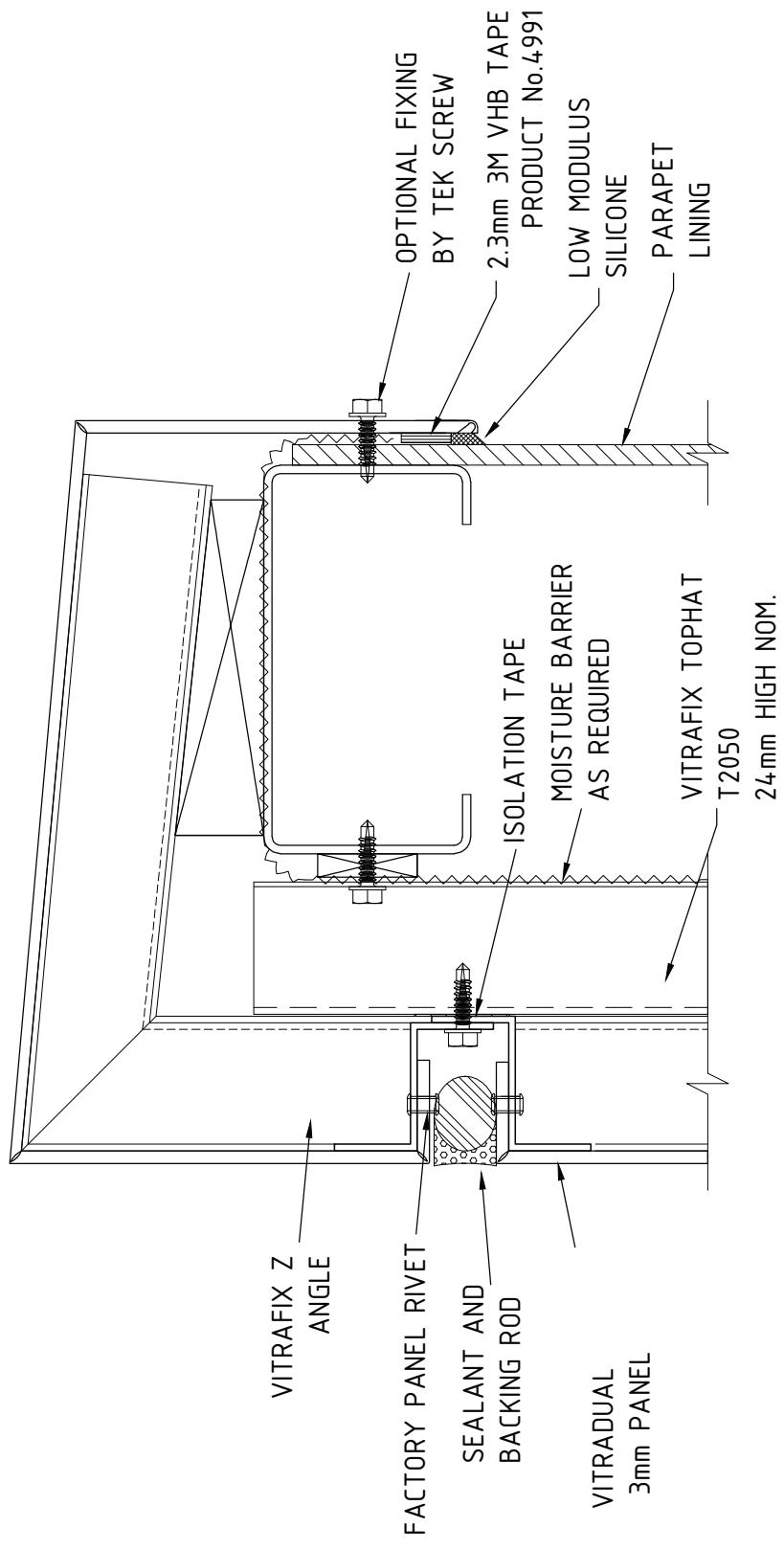
**vitra dual**



## 11. WINDOW HEAD DETAIL



**vitradual**



VITRAFIX Z  
ANGLE

FACTORY PANEL RIVET  
SEALANT AND  
BACKING ROD

VITRADUAL  
3mm PANEL

OPTIONAL FIXING  
BY TEK SCREW

2.3mm 3M VHB TAPE  
PRODUCT No.4991

LOW MODULUS  
SILICONE

PARAPET  
LINING

ISOLATION TAPE  
MOISTURE BARRIER  
AS REQUIRED

VITRAFIX TOPHAT  
T2050  
24mm HIGH NOM.

## 12. PARAPET CAPPING DETAIL



**vitradual**