



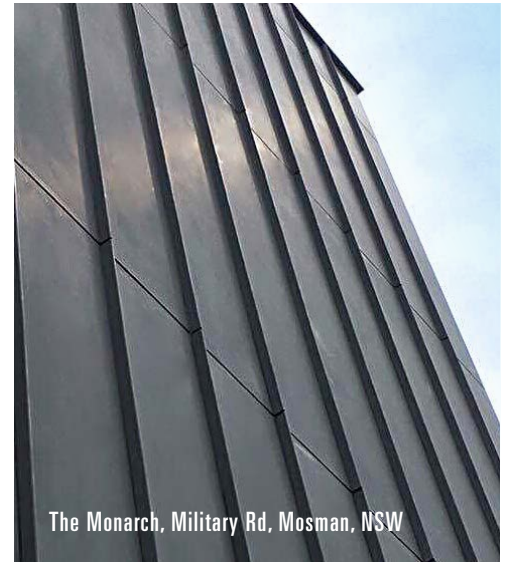
# vitrabond

ALUMINIUM COMPOSITE PANEL / MANUFACTURED BY FAIRVIEW

## FOR MODERN AND TRADITIONAL ARCHITECTURAL DESIGNS



The Monarch, Military Rd, Mosman, NSW



The Monarch, Military Rd, Mosman, NSW

Developed in Europe over 200 years ago, Standing Seam brings a timeless style to architectural designs. The classic longitudinal joint system offers continuous long lengths that form vertical ribs that result in elegant and defined lines. Although unquestionably architecturally and visually appealing, Standing Seam also offers high performance due to its watertight properties making it a perfect solution for weatherproofing and waterproofing and for use in harsh climates.

Unlike traditional aluminium and steel standing seam products, Vitrabond has the ability to mimic standing seam but with the additional benefits of easy installation and cost-efficiency whilst still maintaining the high performance benefits that standing seam is known for. In addition, aluminium composite panels will not rust.

The rib in a usual Standing Seam installation is achieved by bending the aluminium or metal sheet. With Vitrabond rib is made separately and to the panel using a standard cassette fix system (as shown on The Monarch project above). This also provides architects with the added benefit of choosing different colours for the rib and the panel for an truly individualised effect.



### STANDING SEAM ADDS TIMELESS STYLE AND A CLASSIC FINISH TO ANY ARCHITECTURAL DESIGN

#### KEY BENEFITS

- FULLY WATERPROOFED AND WEATHERPROOFED
- MINIMUM MAINTENANCE
- EASY TO INSTALL
- NATURALLY VENTILATED
- COST EFFECTIVE
- HIGH WIND RESISTANCE
- ATTRACTIVE FINISH WITH LONGITUDINAL JOINTS
- LIGHTWEIGHT
- FLEXIBLE AND VERSATILE
- WON'T RUST



# FAIRVIEW

DEFINING ARCHITECTURE SINCE 1983

#### AUSTRALASIA

P / +61 2 6352 2355  
helpdesk@fv.com.au

#### NORTH AMERICA

P / +1 860 242 2711  
helpdesk.na@fv.com.au

#### UNITED KINGDOM

P / +0844 800 7131  
helpdesk.uk@fv.com.au

[WWW.FV.COM.AU](http://WWW.FV.COM.AU)



# vitrabond

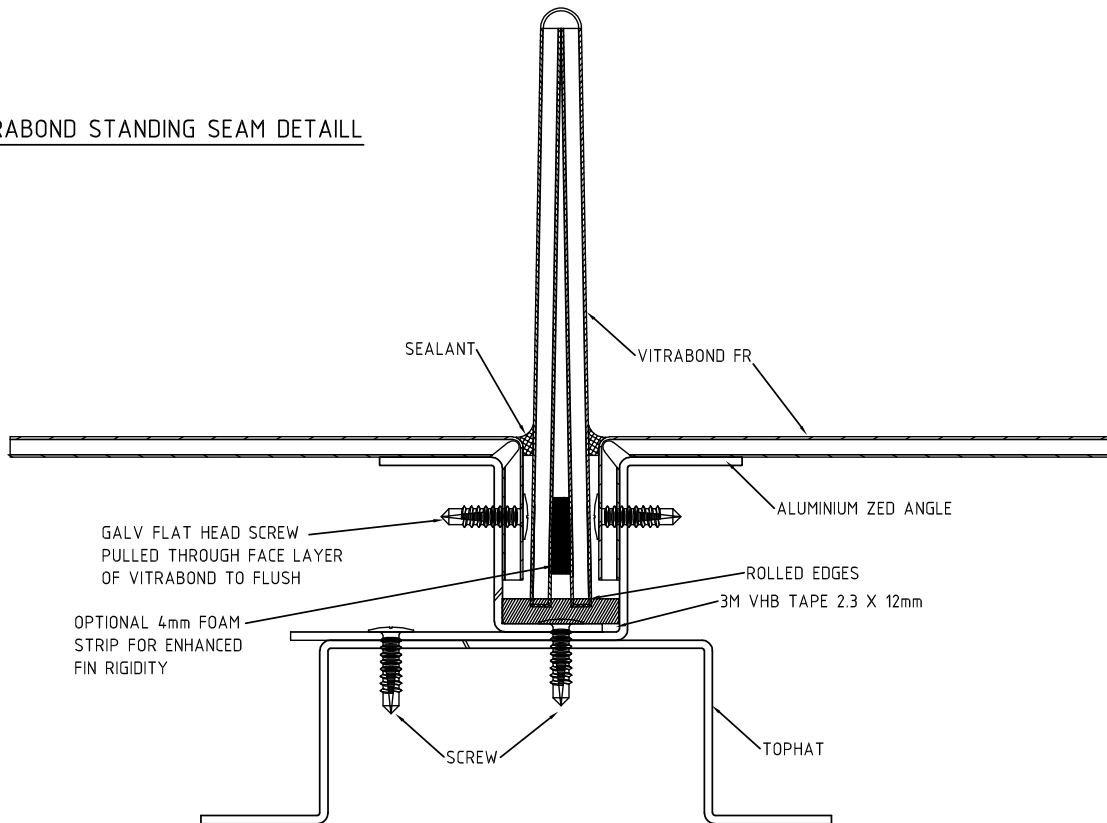
ALUMINIUM COMPOSITE PANEL / MANUFACTURED BY FAIRVIEW

The Monarch, Military Rd, Mosman, NSW

## FIXING SYSTEM

Below are the typical details for fixing Standing Seam:

VITRABOND STANDING SEAM DETAIL



-APPLY 3M VHB TAPE TO ALL ANGLES PRIOR TO INSTALL  
 -ALL FIN EDGES TO BE ROLLED



# FAIRVIEW

DEFINING ARCHITECTURE SINCE 1983

### AUSTRALASIA

P / +61 2 6352 2355  
helpdesk@fv.com.au

### NORTH AMERICA

P / +1 860 242 2711  
helpdesk.na@fv.com.au

### UNITED KINGDOM

P / +0844 800 7131  
helpdesk.uk@fv.com.au

[WWW.FV.COM.AU](http://WWW.FV.COM.AU)